



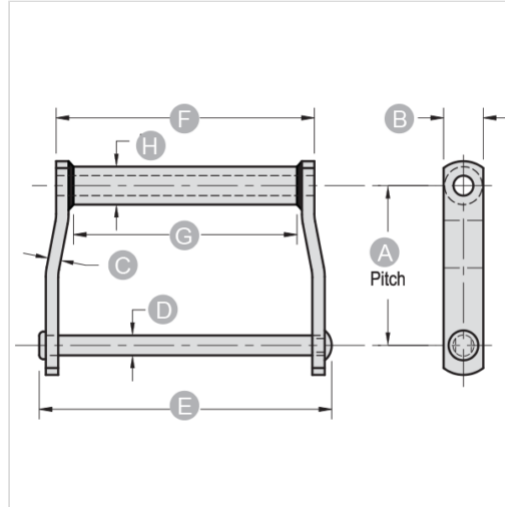
Industry: Mobile Wood Waste Recycling, Forest Products

Using select grade alloy steels, these heavy duty chains are manufactured in North America to high standards.

The Mega Mac series chain features a extra heavy .400" round barrel for the most severe applications. Ideal for extra heavy loads, large logs or any application prone to high impact leading to crushed barrels.

All heat treating and attachment options are available.

- Standard through-hardened rivets
- Available with additional induction hardened rivets



NOTE: All dimensions shown in inches unless noted otherwise. *WDH denotes Heat-Treated

Part Number	Average Pitch A	Ultimate Strength (lbs)	WH* Ultimate Strength (lbs)	Sidebar Height B	Sidebar Thickness C	Pin Diameter D
WD122XHDMM	8.000	125,000	150,000	2.000	5/8	1.000

Part Number	Approx. Overall Width E	Length of Bearing F	Max. Sprocket Thickness G	Links per Foot	Average Weight per Ft. (lbs)
WD122XHDMM	12 3/4	10 1/2	8 3/4	1.500	22.000

Questions about ordering? Call us!