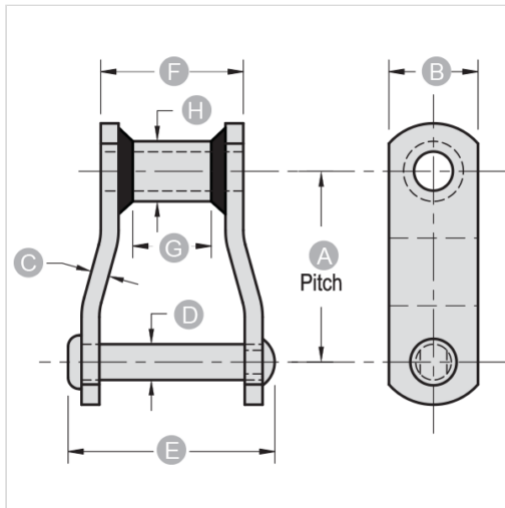




Industry: Grain Processing, Car Wash Conveyor, Forest Products

Welded Steel Mill Chains (Offset Sidebars) are recommended for most conveying and elevating applications in which a high strength steel rollerless chain is required. A complete line on attachments and optional heat treatment make them easily adaptable to a wide variety of applications.

- All pins are through-hardened
- 1" & larger pins are further induction hardened
- Pre-Greased Rivets available upon request on all sizes



NOTE: All dimensions shown in inches unless otherwise noted. *WH denotes Heat-Treated

| Part Number | Average Pitch | Ultimate Strength (lbs) | WH* Ultimate Strength (lbs) | Sidebar Height | Sidebar Thickness | Pin Diameter |
|-------------|---------------|-------------------------|-----------------------------|----------------|-------------------|--------------|
| | A | | | B | C | D |
| WR78 | 2.609 | 29,800 | 34,000 | 1 1/4 | 1/4 | 1/2 |

| Part Number | Approx. Overall Width | Length of Bearing | Max. Sprocket Thickness | Barrel O.D. | Links per Foot | Average Weight per Ft. (lbs) |
|-------------|-----------------------|-------------------|-------------------------|-------------|----------------|------------------------------|
| | E | F | G | H | | |
| WR78 | 3.000 | 2.000 | 1.000 | 0.840 | 4.600 | 4.100 |

Questions about ordering? Call us!